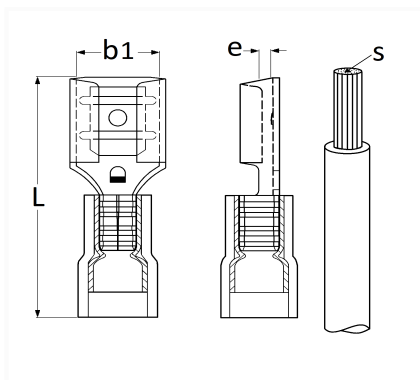


1 Allée des Bouleaux -F-95110 SANNOIS
 +33 (0)1 39 98 55 00
 info@restagraf.com

SIMPLE CRIMP FEMALE PRE-INSULATED FLAT TERMINAL 6,35 x 0,8 mm (1 → 2,5 mm²)



Item code	Number of References	Number of pieces	Conditioning
306609	1	100	BOX
6609	1	35	BAG
555118	1	150	BAG



Technical informations	
L	21 mm
b1	6.4 mm
e	0.8 mm
s	1 → 2.5 mm ²