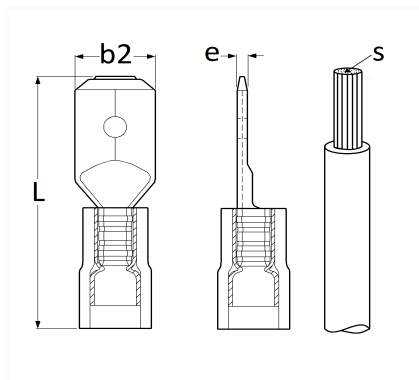


1 Allée des Bouleaux -F-95110 SANNOIS
 +33 (0)1 39 98 55 00
 info@restagraf.com

REINFORCED MALE PRE-INSULATED FLAT TERMINAL 2,8 X 0,5 mm (0,3 → 1,5 mm²)



Item code	Number of References	Number of pieces	Conditioning
226975	1	5	BLISTER
6975	1	20	BAG
306975	1	100	BOX



Technical informations	
L	19.2 mm
b2	2.8 mm
e	0.5 mm
s	0.3 → 1.5 mm ²

Materials
BRASS