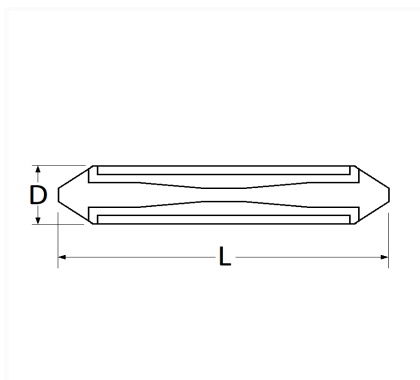


1 Allée des Bouleaux -F-95110 SANNOIS
 +33 (0)1 39 98 55 00
 info@restagraf.com

TORPEDOSICHERUNG 25A



Item code	Number of References	Number of pieces	Conditioning
226884	1	5	BLISTER
6884	1	10	BEUTEL
306884	1	50	BEHÄLTER



Technical informations	
L	25.7 mm
D	6 mm
Intens.	25 A

Manufacturer correspondence*			
B.M.W	61138760139	FORD Finis	0591463
FORD Werksnummer	G73A14526	MERCEDES-BENZ	A0015457534
MERCEDES-BENZ	N072581025100	MERCEDES-BENZ	N072581025101
PEUGEOT / CITROËN	650443	PORSCHE	N0171215
RENAULT	0854865800	VOLKSWAGEN	N0171215

* Non contractual information given as indication