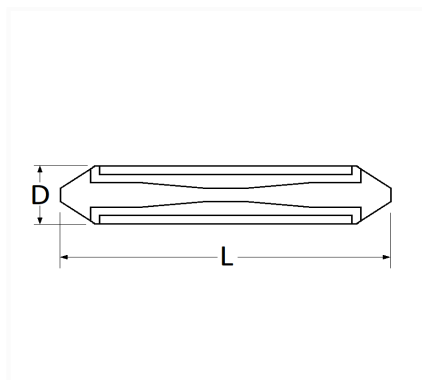


1 Allée des Bouleaux -F-95110 SANNOIS  
 +33 (0)1 39 98 55 00  
 info@restagraf.com

## STEATIETZEKERING 16 A



Item code	Number of References	Number of pieces	Conditioning
226883	1	5	
6883	1	10	
306883	1	50	



Technical informations	
L	25.7 mm
D	6 mm
Intens.	16 A

Manufacturer correspondence*			
B.M.W	61138760140	FORD Finis	0543948
FORD Finis	1425337	FORD Ontwerpnumen	11543948
FORD Ontwerpnumen	3008E14A094C	MERCEDES-BENZ	A0005458334
PEUGEOT / CITROËN	650404	PORSCHE	N0171214
RENAULT	0855824000	VOLKSWAGEN	N0171214

\* Non contractual information given as indication