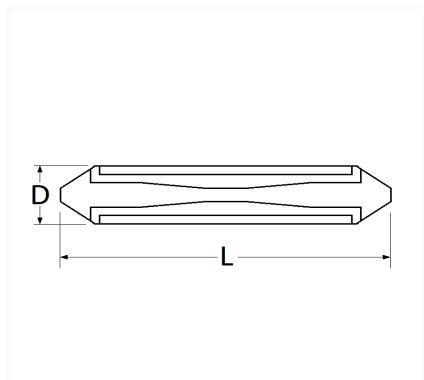


1 Allée des Bouleaux -F-95110 SANNOIS
 +33 (0)1 39 98 55 00
 info@restagraf.com

TORPEDOSICHERUNG 8A



Item code	Number of References	Number of pieces	Conditioning
226881	1	5	BLISTER
6881	1	10	BEUTEL
306881	1	50	BEHÄLTER



Technical informations	
L	25.7 mm
D	6 mm
Intens.	8 A

Manufacturer correspondence*			
B.M.W	61138760138	FORD Finis	1432494
FORD Finis	1463919	FORD Werksnummer	3024E14A094B
FORD Werksnummer	BG14526C	MERCEDES-BENZ	A0005458234
MERCEDES-BENZ	N072581008101	RENAULT	0855545600
VOLKSWAGEN	N0171211		

* Non contractual information given as indication