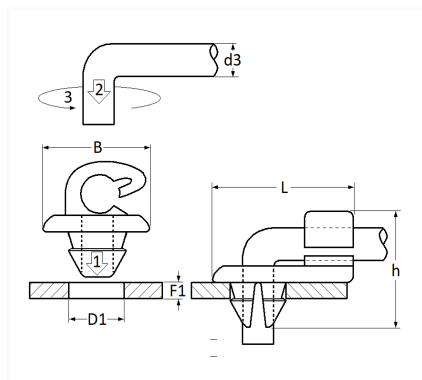


1 Allée des Bouleaux -F-95110 SANNOIS
 +33 (0)1 39 98 55 00
 info@restagraf.com

STANGENKLEM Ø 3,5 mm PORTIERSLUITING



Item code	Number of References	Number of pieces	Conditioning
1364	2	20	



Technical informations	
L	16.4 mm
B	10.7 mm
h	14.2 mm
d3	3.5 mm
D1	6 → 6.2 mm
F1	2 → 2.2 mm

Materials
POLYACETAAL COPOLYMEER

Manufacturer correspondence*	
RENAULT	7701030664

* Non contractual information given as indication