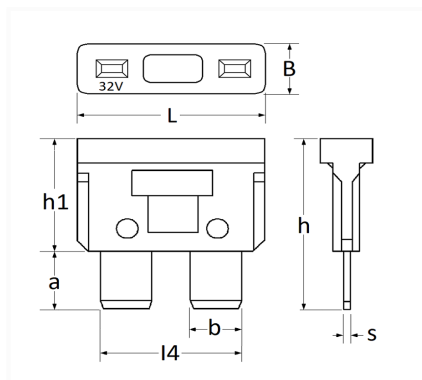


## STANDAARD PLATTE ZEKERING 2 A



Item code	Number of References	Number of pieces	Conditioning
226869	1	5	
6869	1	25	
306869	1	75	



Technical informations		
L		19.1 mm
B		5.2 mm
h		19.3 mm
h1		12.8 mm
a		8.5 mm
b		5.2 mm
l4		14.2 mm
s		0.64 mm
Intens.		2 A

### Materials

ZINK

### Manufacturer correspondence\*

AUDI	N01713121	B.M.W	61131386849
------	-----------	-------	-------------

Manufacturer correspondence*			
PEUGEOT / CITROËN	650473	PEUGEOT / CITROËN	650491
RENAULT	7700410559	RENAULT	7701998052
SKODA	N01713121	TOYOTA	9009953010
VOLKSWAGEN	N01713121		

\* Non contractual information given as indication

---