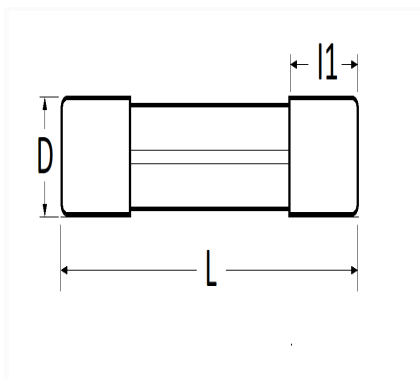


1 Allée des Bouleaux -F-95110 SANNOIS
 +33 (0)1 39 98 55 00
 info@restagraf.com

GLASSICHERUNG 5A 5 X 20 mm



Item code	Number of References	Number of pieces	Conditioning
226852	1	5	BLISTER
6852	1	10	BEUTEL



Technical informations	
L	20 mm
D	5 mm
l1	5.1 mm
Intens.	5 A

Manufacturer correspondence*	
TOYOTA	9098207008

* Non contractual information given as indication