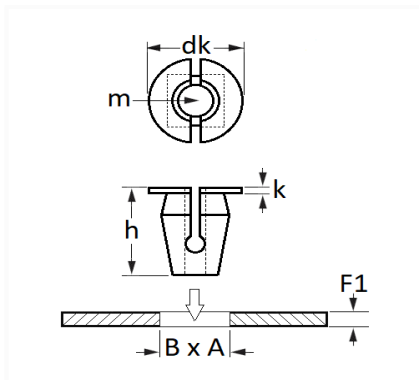


1 Allée des Bouleaux -F-95110 SANNOIS  
 +33 (0)1 39 98 55 00  
 info@restagraf.com

## KUNSTSTOF MOER Ø 4,5 mm PORTIERBEKLEDING



Item code	Number of References	Number of pieces	Conditioning
1341	1	12	



Technical informations	
dk	17.8 mm
k	1.5 mm
h	25.6 mm
m	Vis Matériaux Tendres Ø 4.5 mm
B	8 mm
A	8 mm
F1	0.7 → 1 mm

Materials
POLYAMIDE EN ELASTOMEER

Manufacturer correspondence*			
FIAT	46408953	FIAT	60626849

Manufacturer correspondence*			
FORD Finis	1211807	FORD Ontwerpnumen	W707977S300
JAGUAR	T2H4059	JAGUAR	W707977S300
LAND ROVER	RYH500950	LAND ROVER	W707977S300
PEUGEOT / CITROËN	6991P2		

\* Non contractual information given as indication

---