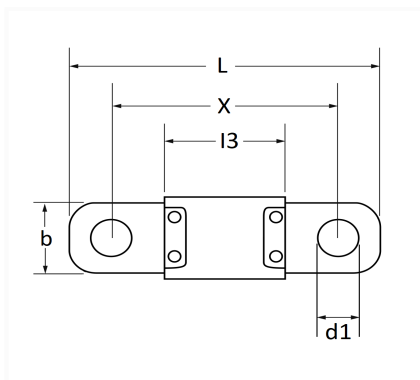


1 Allée des Bouleaux -F-95110 SANNOIS
 +33 (0)1 39 98 55 00
 info@restagraf.com

MIDI-ZEKERING 40A



Item code	Number of References	Number of pieces	Conditioning
225079	1	1	
17131	1	2	
317131	1	10	



Technical informations	
L	41 mm
b	10 mm
X	30 mm
d1	5.4 mm
l3	16 mm
Intens.	40 A

Manufacturer correspondence*			
B.M.W	61136925855	CHRYSLER - JEEP	5104606AA
FORD Finis	1148212	FORD Ontwerpnumen	2S6T14A094BA
IVECO	42568114	JAGUAR	C2S52072
JAGUAR	T2H36073	LAND ROVER	LR019903
LAND ROVER	LR080446	LAND ROVER	YQG100330L

Manufacturer correspondence*			
MAZDA	BP4K67MD4	MAZDA	EG5167099
MERCEDES-BENZ	N000000002796	MERCEDES-BENZ	N000000006623
MINI	61136925855	NISSAN	2433600Q0B
OPEL (GM) Catalogusnummer	6235736	OPEL (GM) Onderdeelnummer	13133865
OPEL (GM) Onderdeelnummer	95525683	PEUGEOT / CITROËN	6500AV
PEUGEOT / CITROËN	6500GW	PEUGEOT / CITROËN	9665407980
PORSCHE	99960709900	PORSCHE	N10525501
PORSCHE	N10839401	RENAULT	8200315231
TESLA	100825600A	VOLKSWAGEN	N10525501
VOLKSWAGEN	WHT001211	VOLVO	9441937

* Non contractual information given as indication