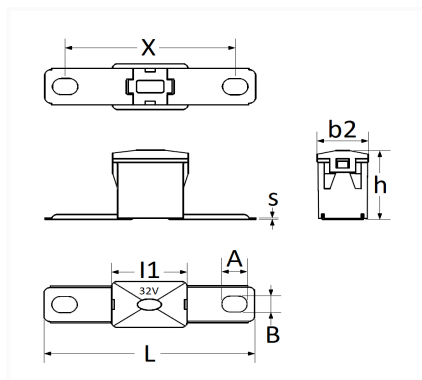


1 Allée des Bouleaux -F-95110 SANNOIS  
 +33 (0)1 39 98 55 00  
 info@restagraf.com

## FLACHSICHERUNG JAPAN-TYP STECKER C 100A



Item code	Number of References	Number of pieces	Conditioning
225076	1	1	BLISTER
17126	1	2	BEUTEL



Technical informations	
L	62 mm
l1	22.2 mm
b2	15 mm
h	21.5 mm
X	48 mm
s	0.4 mm
A	7.5 mm
B	5.4 mm
Intens.	100 A

### Manufacturer correspondence\*

LAND ROVER

STC1757

\* Non contractual information given as indication