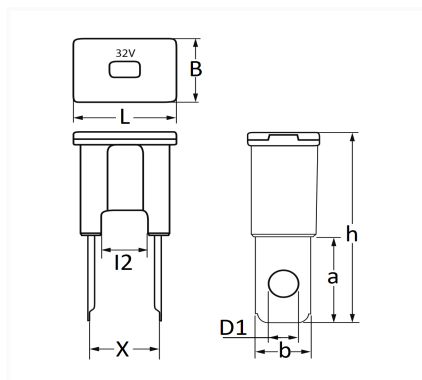


1 Allée des Bouleaux -F-95110 SANNOIS
 +33 (0)1 39 98 55 00
 info@restagraf.com

JAPANESE ZEKERING MANNELIJK TYPE B 80A



Item code	Number of References	Number of pieces	Conditioning
225068	1	1	
17113	1	2	



Technical informations	
L	22.2 mm
B	15.2 mm
h	45 mm
I2	10 mm
X	15 mm
D1	6.5 mm
b	12 mm
a	20.5 mm
Intens.	80 A

Manufacturer correspondence*			
CHEVROLET - DAEWOO	61001	CHEVROLET - DAEWOO	9609201080
FORD Finis	6509687	FORD Ontwerpnumen	91AG14A094HA
HYUNDAI	9182322500	HYUNDAI	9182333500
KIA	9182322500	KIA	K991021080
MAZDA	H11767099	MINI	MU840021

Manufacturer correspondence*			
NISSAN	2437079900	OPEL (GM) Catalogusnummer	4702512
OPEL (GM) Onderdeelnummer	9195831	SUZUKI	0948180301
TOYOTA	9098208203	TOYOTA	9098208253

* Non contractual information given as indication
