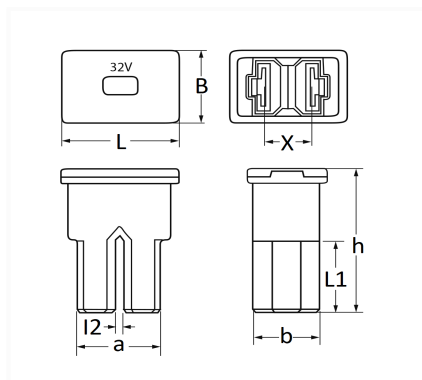


1 Allée des Bouleaux -F-95110 SANNOIS
 +33 (0)1 39 98 55 00
 info@restagraf.com

FLACHSICHERUNG JAPAN-TYP BUCHSE AS 30A



Item code	Number of References	Number of pieces	Conditioning
225057	1	1	BLISTER
17102	1	2	BEUTEL



Technical informations	
L	22.2 mm
B	15 mm
X	9 mm
h	30 mm
a	15.7 mm
b	12.5 mm
I2	1.5 mm
L1	15.1 mm
Intens.	30 A

Manufacturer correspondence*			
CHEVROLET - DAEWOO	9609100030	DAIHATSU	9004982030
DAIHATSU	9004982030000	HYUNDAI	9182614000
HYUNDAI	9182622000	ISUZU	8944686610
MAZDA	H11567099	MITSUBISHI	MU840015
MITSUBISHI	MU840026	OPEL (GM) Katalognummer	4702799

Manufacturer correspondence*			
OPEL (GM) Teilenummer	9195825	SUZUKI	0948130203
TOYOTA	9098208188		

* Non contractual information given as indication
