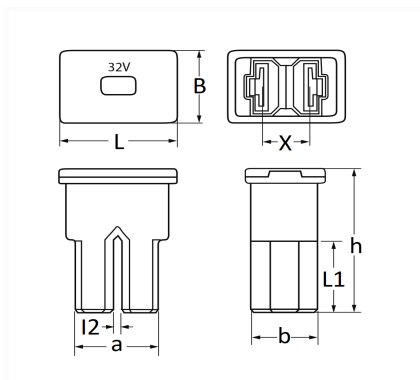


1 Allée des Bouleaux -F-95110 SANNOIS
 +33 (0)1 39 98 55 00
 info@restagraf.com

FLACHSICHERUNG JAPAN-TYP BUCHSE AS 20A



Item code	Number of References	Number of pieces	Conditioning
225056	1	1	BLISTER
17101	1	2	BEUTEL



Technical informations	
L	22.2 mm
B	15 mm
X	9 mm
h	30 mm
a	15.7 mm
b	12.5 mm
l2	1.5 mm
l1	15.1 mm
Intens.	20 A

Manufacturer correspondence*			
CHEVROLET - DAEWOO	9609100020	FORD Finis	6729279
FORD Werksnummer	93BG14A094AA	HYUNDAI	9182514000
HYUNDAI	9182522000	MITSUBISHI	MU840000
MITSUBISHI	MU840014	MITSUBISHI	MU840025

* Non contractual information given as indication