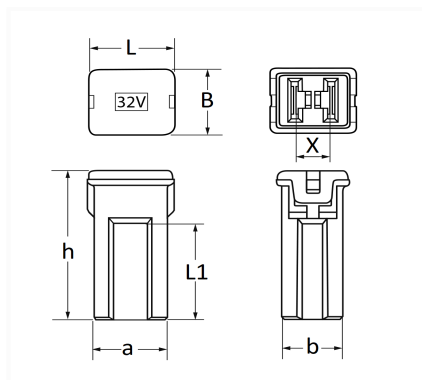


1 Allée des Bouleaux -F-95110 SANNOIS  
 +33 (0)1 39 98 55 00  
 info@restagraf.com

## J-CASE TYPE FEMALE JAPANESE FUSE 20A



Item code	Number of References	Number of pieces	Conditioning
225049	1	1	BLISTER
17152	1	2	BAG



Technical informations	
L	14.1 mm
B	12 mm
X	5.5 mm
h	27.2 mm
L1	17.5 mm
a	12.1 mm
b	10 mm
Intens.	20 A

Manufacturer correspondence*			
CHEVROLET - DAEWOO	61009	CHEVROLET - DAEWOO	96377976
CHRYSLER - JEEP	6102075AA	FORD Engineering number	F8SB14A094AA
FORD Finis	3819188	HYUNDAI	1898004823
HYUNDAI	9182038000	HYUNDAI	918204A000
HYUNDAI	FLF0502007	ISUZU	8971836420

Manufacturer correspondence*			
JAGUAR	C2S9898	JAGUAR	C2Z2971
JAGUAR	JDE40024	JAGUAR	JLM20909
KIA	1898004823	KIA	9182038000
KIA	K991001020	KIA	K991051120
LAND ROVER	LR078835	MAZDA	C10067S99
MAZDA	GJ6H67S99	MAZDA	W41267S92
MITSUBISHI	MU840030	OPEL (GM) Catalog number	1238302
OPEL (GM) Catalog number	4808134	OPEL (GM) Catalog number	4810999
OPEL Part number	13133859	OPEL Part number	15319476
OPEL Part number	96377976	VOLKSWAGEN	N91186301
VOLVO	30872477		

\* Non contractual information given as indication