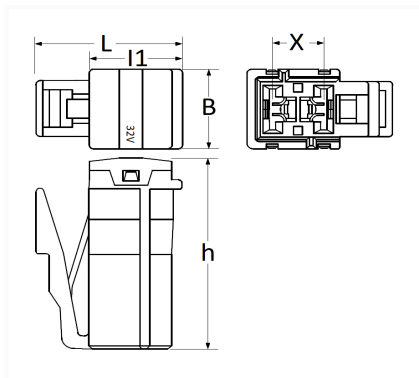


1 Allée des Bouleaux -F-95110 SANNOIS  
 +33 (0)1 39 98 55 00  
 info@restagraf.com

## JAPANESE ZEKERING VROUWELIJK TYPE D 30A



Item code	Number of References	Number of pieces	Conditioning
225048	1	1	
17151	1	2	



Technical informations	
L	21.4 mm
B	13 mm
l1	13.6 mm
h	31 mm
X	7.4 mm
Intens.	30 A

Manufacturer correspondence*	
NISSAN	2437089905

\* Non contractual information given as indication