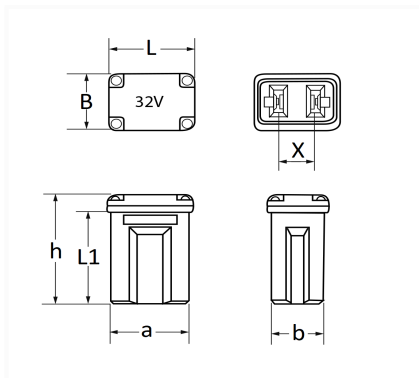


1 Allée des Bouleaux -F-95110 SANNOIS
 +33 (0)1 39 98 55 00
 info@restagraf.com

SORTIMENT SICHERUNGEN J-CASE MICRO 32V 15 BIS 40 A



Item code	Number of References	Number of pieces	Conditioning
217146	5	5	BLISTER



Technical informations	
L	10.7 mm
B	7.7 mm
X	4.6 mm
h	15 mm
L1	12.5 mm
a	9.7 mm
b	6.2 mm
Intens.	15 → 40 A