

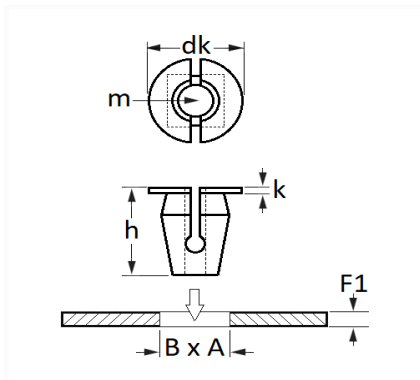


1 Allée des Bouleaux -F-95110 SANNOIS
 +33 (0)1 39 98 55 00
 info@restagraf.com

KUNSTSTOF MOER Ø 4,5 mm BINNEN- EN PORTIERBEKLEDING



Item code	Number of References	Number of pieces	Conditioning
1317	1	40	



Technical informations	
dk	13.1 mm
k	1 mm
h	9.1 mm
m	Vis Matériaux Tendres Ø 4.5 mm
B	7 mm
A	7 mm
F1	0.5 → 2 mm

Materials
POLYAMIDE 66

Manufacturer correspondence*			
OPEL (Stellantis)	6992G2	PEUGEOT / CITROËN	6992G2

Manufacturer correspondence*

PEUGEOT / CITROËN

6999E4

* Non contractual information given as indication
