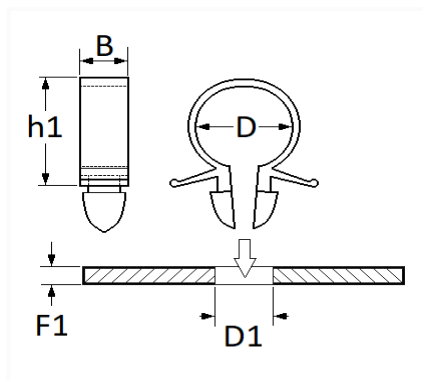


1 Allée des Bouleaux -F-95110 SANNOIS
 +33 (0)1 39 98 55 00
 info@restagraf.com

OMEGAKLEM Ø 17 mm KABELBOOMBEVESTIGING



Item code	Number of References	Number of pieces	Conditioning
1316	1	25	



Technical informations	
D	16.8 mm
B	8 mm
h1	17.5 mm
D1	6.5 mm
F1	0.7 → 2 mm

Materials
POLYAMIDE 6

Manufacturer correspondence*			
FIAT	14570080	PEUGEOT / CITROËN	698681

Manufacturer correspondence*

PEUGEOT / CITROËN	6999C7	RENAULT	7703079103
-------------------	--------	---------	------------

* Non contractual information given as indication
