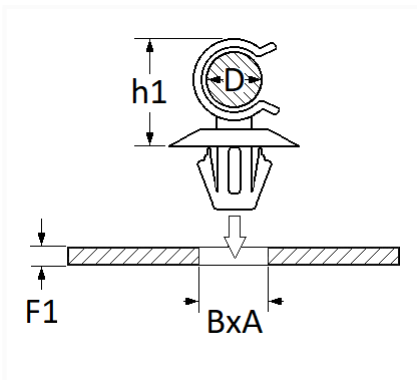


1 Allée des Bouleaux -F-95110 SANNOIS
 +33 (0)1 39 98 55 00
 info@restagraf.com

1 HOUSING PIPE / WIRING BRACKET Ø 2,5→ 8 mm



Item code	Number of References	Number of pieces	Conditioning
1310	1	6	BAG



Technical informations	
D	2.5 → 8 mm
h1	12 mm
B	6.2 mm
A	12.2 mm
F1	0.7 → 3 mm

Materials
POLYACETAL COPOLYMER

Manufacturer correspondence*			
NISSAN	8253500QAA	SUBSTITUTABLE FOR	7703079631
* Non contractual information given as indication		RENAULT	