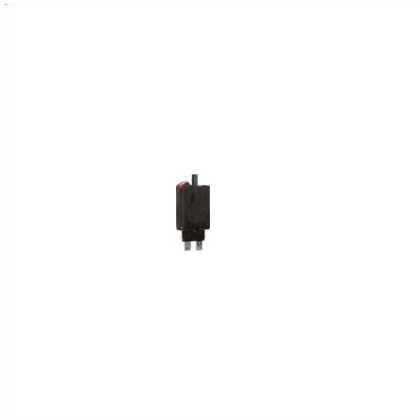
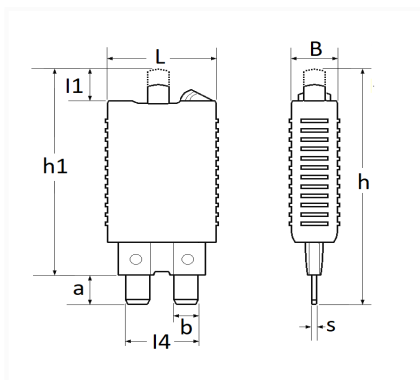


1 Allée des Bouleaux -F-95110 SANNOIS
 +33 (0)1 39 98 55 00
 info@restagraf.com

ZELFHERSTELLELENDE STANDAARD PLATTE ZEKERING 10 A



Item code	Number of References	Number of pieces	Conditioning
41202	1	1	



Technical informations	
L	22 mm
B	9.8 mm
h	51.6 mm
h1	45.2 mm
l1	7.2 mm
a	6.4 mm
b	5.2 mm
l4	14.5 mm
s	0.8 mm
Intens.	10 A