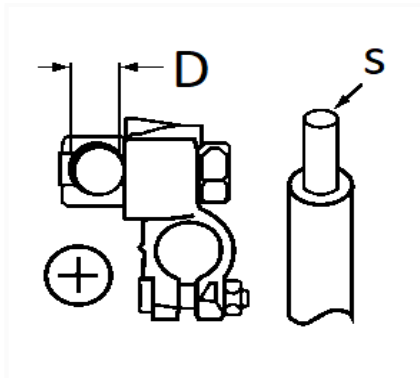


POSITIVE BATTERY TERMINAL 35 → 70 mm<sup>2</sup> DOUBLE LOCK



Item code	Number of References	Number of pieces	Conditioning
41001	1	10	BOX
225200	1	1	HANGING BOX



Technical informations	
D	13 mm
s	35 → 70 mm <sup>2</sup>

Materials
BRASS