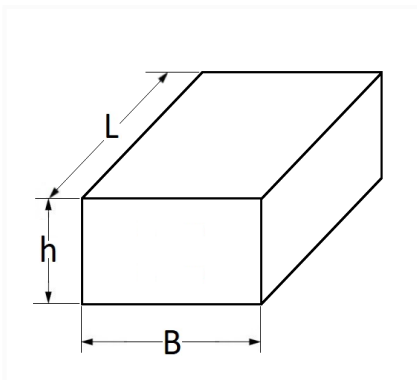


1 Allée des Bouleaux -F-95110 SANNOIS
 +33 (0)1 39 98 55 00
 info@restagraf.com

LIFT PAD 160 X 120 X 37 mm CAR HOIST



Item code	Number of References	Number of pieces	Conditioning
40952	1	1	FILMED



Technical informations	
L	158 mm
B	119 mm
h	37 mm

Materials
RUBBER