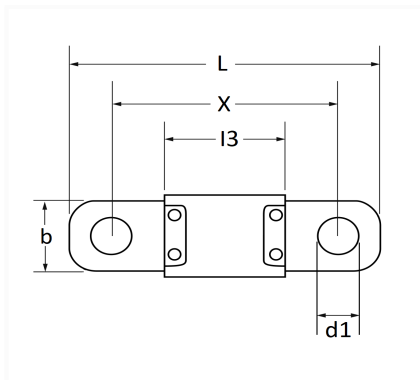


1 Allée des Bouleaux -F-95110 SANNOIS
 +33 (0)1 39 98 55 00
 info@restagraf.com

SORTIMENT SICHERUNGEN MIDI 30 BIS 125A



Item code	Number of References	Number of pieces	Conditioning
17998	8	8	BEUTEL



Technical informations	
L	41 mm
b	10 mm
X	30 mm
d1	5.4 mm
I3	16 mm
Intens.	30 → 125 A