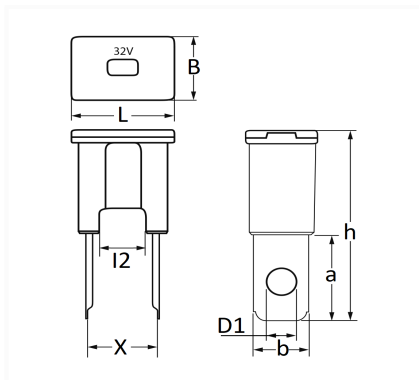


1 Allée des Bouleaux -F-95110 SANNOIS
 +33 (0)1 39 98 55 00
 info@restagraf.com

SORTIMENT SICHERUNGEN JAPAN-TYP STECKER B 20 BIS 100A



Item code	Number of References	Number of pieces	Conditioning
17996	7	10	BEUTEL



Technical informations		
L		22.2 mm
B		15.2 mm
h		45 mm
l2		10 mm
X		15 mm
D1		6.5 mm
b		12 mm
a		20.5 mm
Intens.		20 → 100 A