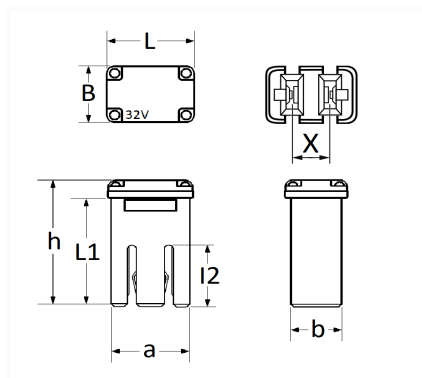


1 Allée des Bouleaux -F-95110 SANNOIS
 +33 (0)1 39 98 55 00
 info@restagraf.com

SICHERUNG J-CASE MICRO GESCHLITZT 32V 15A



Item code	Number of References	Number of pieces	Conditioning
17370	1	2	BEUTEL



Technical informations	
L	10.7 mm
B	7.7 mm
h	17.5 mm
L1	15 mm
a	9.7 mm
b	6.2 mm
I2	8.5 mm
X	4.6 mm
Intens.	15 A

Manufacturer correspondence*			
FORD Finis	5559029	FORD Werksnummer	GU5T14G593AEA
JAGUAR	J9C15877	LAND ROVER	LR095450
RENAULT	294106273R		

* Non contractual information given as indication