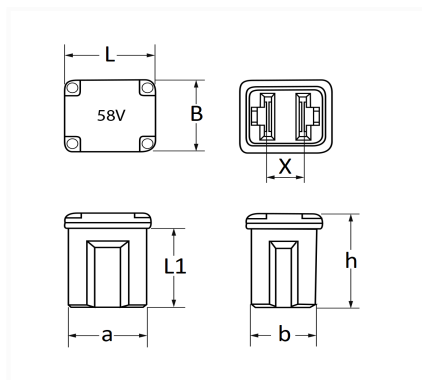


1 Allée des Bouleaux -F-95110 SANNOIS
 +33 (0)1 39 98 55 00
 info@restagraf.com

SICHERUNG J-CASE LOW-PROFILE 58V 20A



Item code	Number of References	Number of pieces	Conditioning
17350	1	2	BEUTEL



Technical informations	
L	14.1 mm
B	12 mm
X	5.5 mm
h	15.9 mm
L1	13.6 mm
a	12.1 mm
b	10 mm
Intens.	20 A

Manufacturer correspondence*			
ALFA ROMEO	11323290	CHEVROLET - DAEWOO	13257519
CHEVROLET - DAEWOO	93746077	CHRYSLER - JEEP	11323290
CHRYSLER - JEEP	K68144442AA	FIAT	71773499
FIAT	K68144442AA	FORD Finis	4655702
FORD Finis	4780761	FORD Werksnummer	6E5T14A094AA

Manufacturer correspondence*			
FORD Werksnummer	7T4T14A094AA	HONDA	38211SNAA01
HYUNDAI	1879001121	HYUNDAI	1879001127
ISUZU	8980791890	JAGUAR	C2S52413
JAGUAR	T2H36042	KIA	1879001121
KIA	1879001127	LAND ROVER	LR042645
LAND ROVER	LR075972	MAZDA	C24367S99
OPEL (GM) Katalognummer	1238270	OPEL (GM) Teilenummer	13257519
OPEL (GM) Teilenummer	19117589	TESLA	105226120A
VOLVO	30728784		

* Non contractual information given as indication
