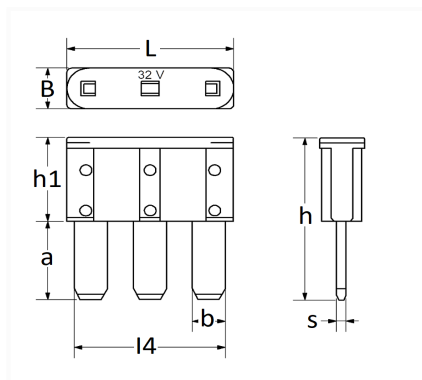


1 Allée des Bouleaux -F-95110 SANNOIS  
 +33 (0)1 39 98 55 00  
 info@restagraf.com

## PLATTE ZEKERING MICRO III 32V 10A



Item code	Number of References	Number of pieces	Conditioning
17342	1	5	



Technical informations		
L		14.3 mm
B		3.8 mm
h		15.3 mm
h1		7.9 mm
a		7.4 mm
b		2.8 mm
l4		12.8 mm
s		0.8 mm
Intens.		10 A

Manufacturer correspondence*			
CITROËN	9831840580	DS Automobiles	9831840580
FORD Finis	2521506	FORD Finis	5218987
FORD Ontwerpnumen	DG9T14A094PA	FORD Ontwerpnumen	GU5T14G591BDA
OPEL (GM) Catalogusnummer	19209799	OPEL (GM) Onderdeelnummer	19209799
OPEL (Stellantis)	9831840580	PEUGEOT	9831840580

Manufacturer correspondence\*

TESLA

105226410A

\* Non contractual information given as indication

---