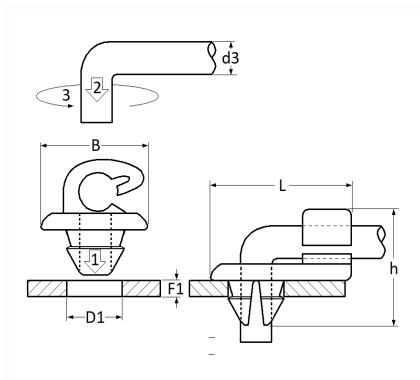


1 Allée des Bouleaux -F-95110 SANNOIS
 +33 (0)1 39 98 55 00
 info@restagraf.com

ROD CLIP Ø 4 mm DOOR LOCK



Item code	Number of References	Number of pieces	Conditioning
1277	2	10	BAG



Technical informations	
L	22 mm
B	11 mm
h	14.2 mm
d3	4 mm
D1	5.8 → 6 mm
F1	1.8 → 2 mm

Materials
POLYACETAL COPOLYMER

Manufacturer correspondence*	
RENAULT	7701030060

* Non contractual information given as indication