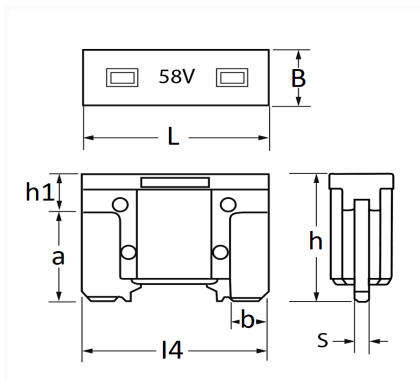


1 Allée des Bouleaux -F-95110 SANNOIS
 +33 (0)1 39 98 55 00
 info@restagraf.com

SET PLATTE ZEKERINGEN LP MINI 58 V 4 → 30 A



Item code	Number of References	Number of pieces	Conditioning
17160	8	16	



Technical informations		
L		10.9 mm
B		3.8 mm
h		8.8 mm
h1		2.6 mm
a		6.2 mm
b		2.2 mm
l4		10.9 mm
s		0.8 mm
Intens.		4 → 30 A