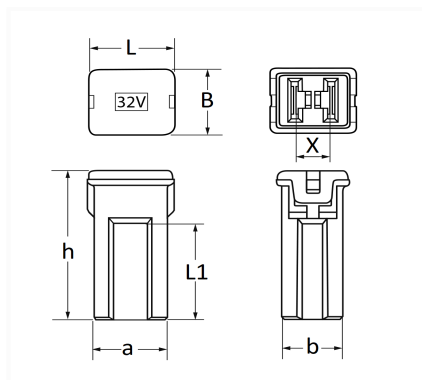


1 Allée des Bouleaux -F-95110 SANNOIS
 +33 (0)1 39 98 55 00
 info@restagraf.com

J-CASE TYPE FEMALE JAPANESE FUSE 30A



Item code	Number of References	Number of pieces	Conditioning
17153	1	2	BAG
225050	1	1	BLISTER



Technical informations	
L	14.1 mm
B	12 mm
X	5.5 mm
h	27.2 mm
L1	17.5 mm
a	12.1 mm
b	10 mm
Intens.	30 A

Manufacturer correspondence*			
AUDI	N91186303	CHEVROLET - DAEWOO	15319477
CHEVROLET - DAEWOO	61010	CHEVROLET - DAEWOO	9609306030
CHEVROLET - DAEWOO	96377977	CHEVROLET - DAEWOO	96584144
CHRYSLER - JEEP	4868007AA	CHRYSLER - JEEP	6102076AA
CUPRA	N91186303	DAIHATSU	9004940049

Manufacturer correspondence*			
DAIHATSU	9004940049000	FIAT	71741906
FORD Engineering number	F8SB14A094BA	FORD Finis	3818838
HYUNDAI	1898004824	HYUNDAI	9183038000
HYUNDAI	918304A000	HYUNDAI	FLF0503000
ISUZU	8971836430	JAGUAR	C2S9945
JAGUAR	C2Z2972	JAGUAR	JLM20910
JAGUAR	T2H36044	KIA	1898004824
KIA	9183038000	KIA	918304A000
KIA	K991001030	KIA	K991051130
LAND ROVER	LR003735	LAND ROVER	LR078836
LAND ROVER	YQG100410L	MAZDA	GD7A67S99
MAZDA	GJ6A67S99	MAZDA	T00167S93
MINI	61136915279	MINI	MU000431
MITSUBISHI	MU001091	MITSUBISHI	MU840031
NISSAN	24370C9912	OPEL (GM) Catalog number	1238305
OPEL (GM) Catalog number	4710927	OPEL (GM) Catalog number	4808155
OPEL (GM) Catalog number	4811000	OPEL (GM) Catalog number	6238667
OPEL Part number	13133860	OPEL Part number	15319477
OPEL Part number	93195741	OPEL Part number	96377977
OPEL Part number	96584144	PEUGEOT / CITROËN	6504C5
PEUGEOT / CITROËN	6588G2	PORSCHE	PAA911863
SEAT	N91186303	SKODA	N91186303
SUBARU	82211FC030	SUZUKI	0948130401
TOYOTA	9098208280	TOYOTA	9098208283
TOYOTA	9098210001	VOLKSWAGEN	N91186303
VOLVO	30872478		

* Non contractual information given as indication