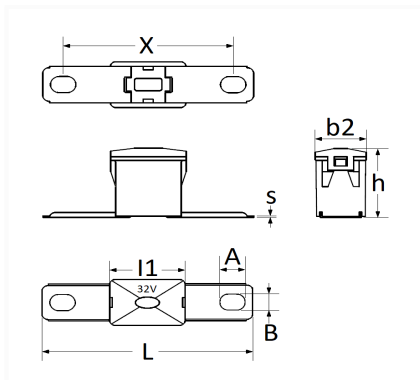


1 Allée des Bouleaux -F-95110 SANNOIS
 +33 (0)1 39 98 55 00
 info@restagraf.com

C TYPE MALE JAPANESE FUSE 20A



Item code	Number of References	Number of pieces	Conditioning
17120	1	2	BAG
225070	1	1	BLISTER



Technical informations	
L	62 mm
I1	22.2 mm
b2	15 mm
h	21.5 mm
X	48 mm
s	0.4 mm
A	7.5 mm
B	5.4 mm
Intens.	20 A