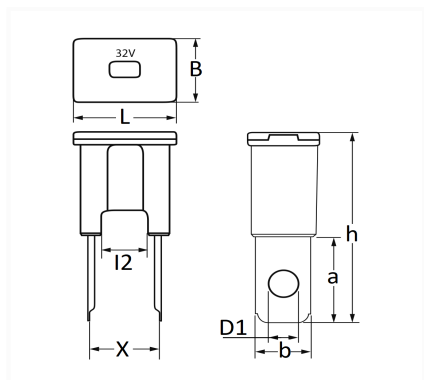


## B TYPE MALE JAPANESE FUSE 80A



Item code	Number of References	Number of pieces	Conditioning
17113	1	2	BAG
225068	1	1	BLISTER



Technical informations	
L	22.2 mm
B	15.2 mm
h	45 mm
l2	10 mm
X	15 mm
D1	6.5 mm
b	12 mm
a	20.5 mm
Intens.	80 A

Manufacturer correspondence*			
CHEVROLET - DAEWOO	61001	CHEVROLET - DAEWOO	9609201080
FORD Engineering number	91AG14A094HA	FORD Finis	6509687
HYUNDAI	9182322500	HYUNDAI	9182333500
KIA	9182322500	KIA	K991021080
MAZDA	H11767099	MINI	MU840021

Manufacturer correspondence*			
NISSAN	2437079900	OPEL (GM) Catalog number	4702512
OPEL Part number	9195831	SUZUKI	0948180301
TOYOTA	9098208203	TOYOTA	9098208253

\* Non contractual information given as indication

---