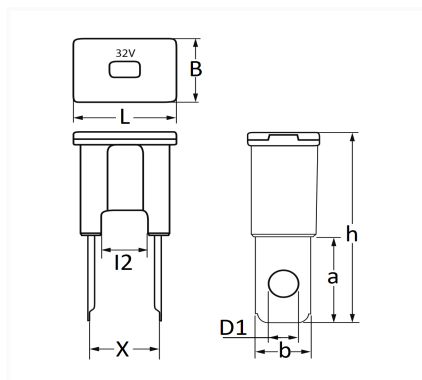


1 Allée des Bouleaux -F-95110 SANNOIS  
 +33 (0)1 39 98 55 00  
 info@restagraf.com

## FLACHSICHERUNG JAPAN-TYP STECKER B 60A



Item code	Number of References	Number of pieces	Conditioning
17112	1	2	BEUTEL
225067	1	1	BLISTER



Technical informations	
L	22.2 mm
B	15.2 mm
h	45 mm
l2	10 mm
X	15 mm
D1	6.5 mm
b	12 mm
a	20.5 mm
Intens.	60 A

Manufacturer correspondence*			
FORD Finis	6509686	FORD Werksnummer	91AG14A094FA
HYUNDAI	9182322300	HYUNDAI	9182333300
HYUNDAI	918604A000	MITSUBISHI	MU840020
NISSAN	2437079960	TOYOTA	9098208202

\* Non contractual information given as indication