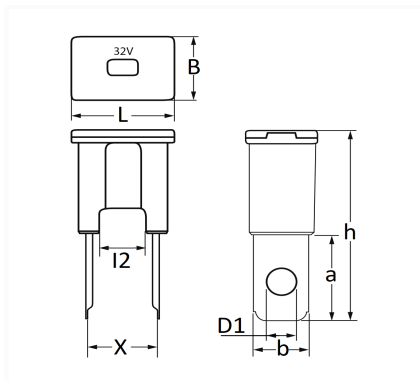


1 Allée des Bouleaux -F-95110 SANNOIS
 +33 (0)1 39 98 55 00
 info@restagraf.com

FLACHSICHERUNG JAPAN-TYP STECKER B 40A



Item code	Number of References	Number of pieces	Conditioning
17110	1	2	BEUTEL
225065	1	1	BLISTER



Technical informations	
L	22.2 mm
B	15.2 mm
h	45 mm
l2	10 mm
X	15 mm
D1	6.5 mm
b	12 mm
a	20.5 mm
Intens.	40 A

Manufacturer correspondence*

TOYOTA

9098208257

* Non contractual information given as indication