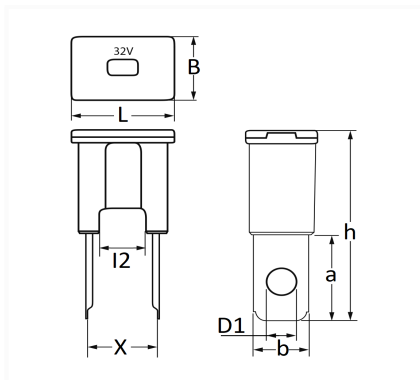


B TYPE MALE JAPANESE FUSE 20A



Item code	Number of References	Number of pieces	Conditioning
17108	1	2	BAG
225063	1	1	BLISTER



Technical informations	
L	22.2 mm
B	15.2 mm
h	45 mm
l2	10 mm
X	15 mm
D1	6.5 mm
b	12 mm
a	20.5 mm
Intens.	20 A