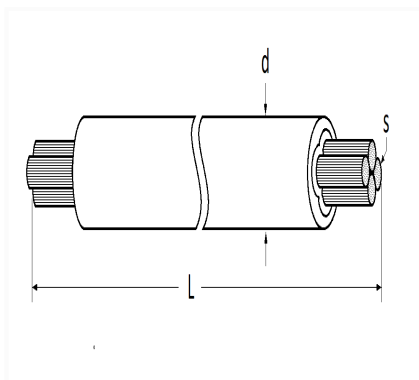


1 Allée des Bouleaux -F-95110 SANNOIS
 +33 (0)1 39 98 55 00
 info@restagraf.com

ELEKTROKABEL EINADRIG 25 M GEROLLT 4 X 1,5 mm² MEHRADRIG



Item code	Number of References	Number of pieces	Conditioning
16265	1	1	KRONE



Technical informations	
L	25 m
d	6.3 mm
s	4 X 1.5 mm ²

Materials
KUPFER