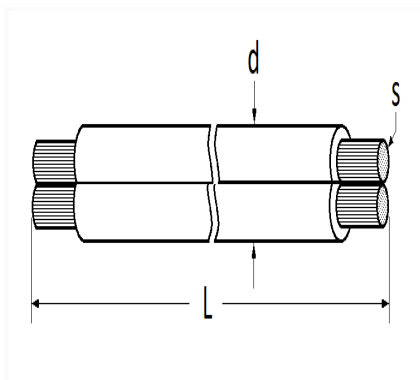


1 Allée des Bouleaux -F-95110 SANNOIS
 +33 (0)1 39 98 55 00
 info@restagraf.com

SPULE ELEKTRODRAHT 25 M 2 X 0,5 mm² SCHWARZ/ROT FÜR LAUTSPRECHER



| Item code | Number of References | Number of pieces | Conditioning |
|-----------|----------------------|------------------|--------------|
| 16250 | 1 | 1 | SPULE |



| Technical informations | |
|------------------------|----------------------|
| L | 25 m |
| d | 1.6 X 3.6 mm |
| s | 0.50 mm ² |
| | |
| | |
| | |
| | |
| | |
| | |
| | |

| |
|------------------|
| Materials |
| KUPFER |