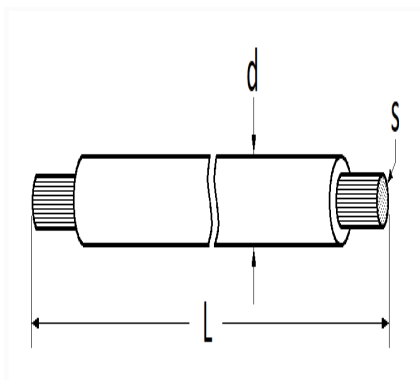


1 Allée des Bouleaux -F-95110 SANNOIS  
 +33 (0)1 39 98 55 00  
 info@restagraf.com

**COIL OF 25 METERS ELECTRIC WIRE 3 mm<sup>2</sup> RED**



Item code	Number of References	Number of pieces	Conditioning
16231	1	1	COIL



Technical informations	
L	25 m
d	3.10 mm
s	3 mm <sup>2</sup>

Materials
COPPER