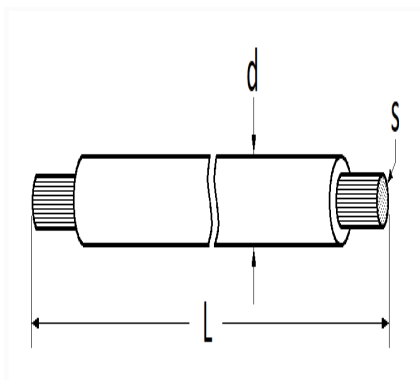


1 Allée des Bouleaux -F-95110 SANNOIS
 +33 (0)1 39 98 55 00
 info@restagraf.com

SPOEL MET 25 M VOEDINGSKABEL 3 mm² ZWART



Item code	Number of References	Number of pieces	Conditioning
16230	1	1	



Technical informations	
L	25 m
d	3.1 mm
s	3 mm ²

Materials
KOPER