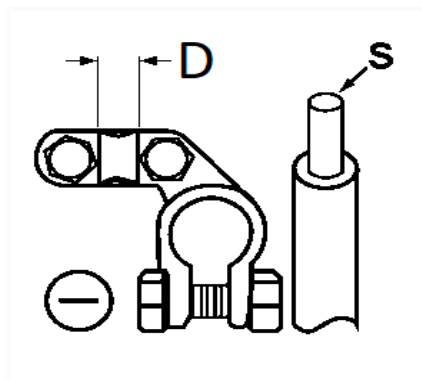


1 Allée des Bouleaux -F-95110 SANNOIS  
 +33 (0)1 39 98 55 00  
 info@restagraf.com

ANGLE BATTERY TERMINAL 35 mm<sup>2</sup> FOR NEGATIVE TERMINAL



Item code	Number of References	Number of pieces	Conditioning
10279	1	25	BOX
210279	1	1	BLISTER
555113	1	12	BAG



Technical informations	
D	13 mm
s	35 mm <sup>2</sup>

Materials
BRASS