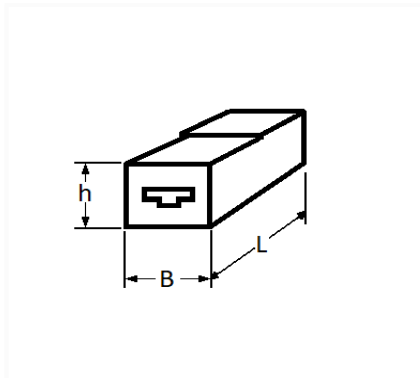


STECKER 1-POLIG 6,35



Item code	Number of References	Number of pieces	Conditioning
6981	1	2	BEUTEL



Technical informations	
L	24.3 mm
B	9.7 mm
h	6.5 mm

Materials
POLYAMID 66