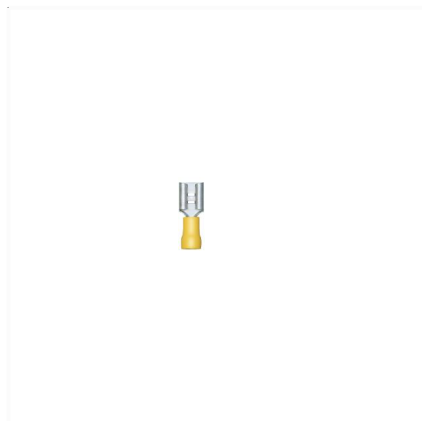
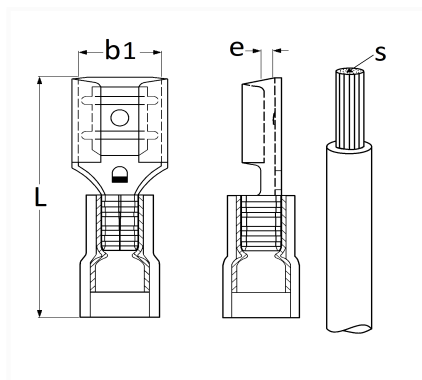


1 Allée des Bouleaux -F-95110 SANNOIS
 +33 (0)1 39 98 55 00
 info@restagraf.com

REINFORCED FEMALE PRE-INSULATED FLAT TERMINAL 9,4 X 1,2 mm (2,6 → 6 mm²)



Item code	Number of References	Number of pieces	Conditioning
6936	1	25	BAG
226936	1	8	BLISTER
306936	1	50	BOX



Technical informations	
L	28.6 mm
b1	9.4 mm
e	1.2 mm
s	4 → 6 mm ²

Materials
BRASS