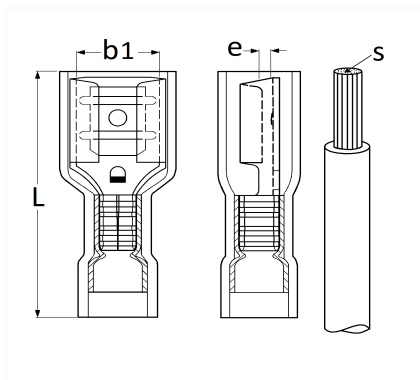


1 Allée des Bouleaux -F-95110 SANNOIS
 +33 (0)1 39 98 55 00
 info@restagraf.com

REINFORCED FEMALE INSULATED FLAT TERMINAL 6,35 x 0,8 mm (1 → 2,5 mm²)



Item code	Number of References	Number of pieces	Conditioning
6910	1	15	BAG
226910	1	8	BLISTER
306910	1	50	BOX



Technical informations	
L	21.5 mm
b1	6.4 mm
e	0.8 mm
s	1.0 → 2.5 mm ²

Materials
BRASS