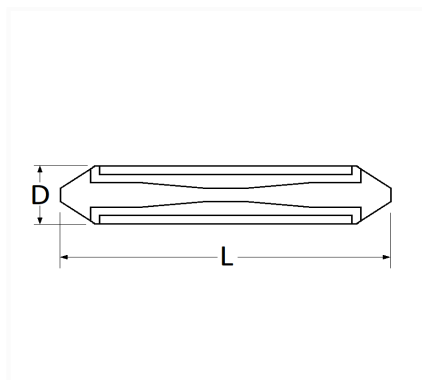


1 Allée des Bouleaux -F-95110 SANNOIS
 +33 (0)1 39 98 55 00
 info@restagraf.com

TORPEDOSICHERUNG 25A



| Item code | Number of References | Number of pieces | Conditioning |
|-----------|----------------------|------------------|--------------|
| 6884 | 1 | 10 | BEUTEL |
| 226884 | 1 | 5 | BLISTER |
| 306884 | 1 | 50 | BEHÄLTER |



| Technical informations | |
|------------------------|---------|
| L | 25.7 mm |
| D | 6 mm |
| Intens. | 25 A |
| | |
| | |
| | |
| | |
| | |
| | |
| | |

| Manufacturer correspondence* | | | |
|------------------------------|---------------|---------------|---------------|
| B.M.W | 61138760139 | FORD Finis | 0591463 |
| FORD Werksnummer | G73A14526 | MERCEDES-BENZ | A0015457534 |
| MERCEDES-BENZ | N072581025100 | MERCEDES-BENZ | N072581025101 |
| PEUGEOT / CITROËN | 650443 | PORSCHE | N0171215 |
| RENAULT | 0854865800 | VOLKSWAGEN | N0171215 |

* Non contractual information given as indication