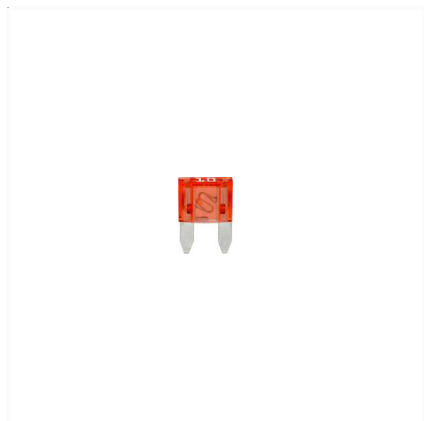


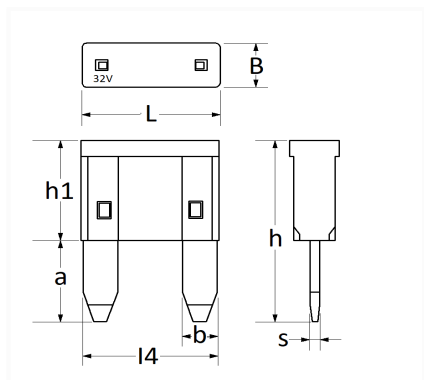


1 Allée des Bouleaux -F-95110 SANNOIS
 +33 (0)1 39 98 55 00
 info@restagraf.com

BLADE FUSE MINI 32V 10A



Item code	Number of References	Number of pieces	Conditioning
6843	1	10	BAG
226843	1	5	BLISTER
306843	1	50	BOX



Technical informations	
L	11.1 mm
B	3.9 mm
h	16.2 mm
h1	8.8 mm
a	7.3 mm
b	2.8 mm
l4	10.8 mm
s	0.82 mm
Intens.	10 A

Materials
ZINC

Manufacturer correspondence*			
ALFA ROMEO	10399690	AUDI	N10261503

Manufacturer correspondence*			
B.M.W	61136917403	CHEVROLET - DAEWOO	12092079
CHEVROLET - DAEWOO	8215508010	CHEVROLET - DAEWOO	96234924
CHRYSLER - JEEP	00ATM10	CUPRA	N10261503
DAIHATSU	9004940056	DAIHATSU	9004940056000
DS Automobiles	6500N9	FIAT	10399690
FIAT	71743851	FORD Engineering number	1L3T14A094FA
FORD Engineering number	955114526BA	FORD Finis	1557377
FORD Finis	4381711	HONDA	9820041000
HYUNDAI	1898004815	HYUNDAI	9187038050
HYUNDAI	FLF0601000	ISUZU	8970620220
IVECO	10399690	IVECO	16713790
JAGUAR	C2C19497	JAGUAR	C2P3080
JAGUAR	C2S9935	JAGUAR	JLM20895
JAGUAR	T2H36056	KIA	1898004815
KIA	9187038050	KIA	K997061110
LANCIA	10399690	LAND ROVER	LR003739
LAND ROVER	LR075978	LAND ROVER	YQF100510
MAZDA	997051210	MAZDA	GD7A67M10
MERCEDES-BENZ	N000000004195	MERCEDES-BENZ	N000000007666
MERCEDES-BENZ	N000000007902	MERCEDES-BENZ	N000000008710
MINI	61136917402	MINI	61136917403
MITSUBISHI	MS810876	MITSUBISHI	MS810886
NISSAN	0894100QAR	NISSAN	24319C9910
OPEL (GM) Catalog number	1238339	OPEL (GM) Catalog number	4419926
OPEL (GM) Catalog number	4704099	OPEL (GM) Catalog number	4808131
OPEL (GM) Catalog number	6238285	OPEL (Stellantis)	6500N9
OPEL Part number	12092079	OPEL Part number	90542150
OPEL Part number	91153942	OPEL Part number	9195763
OPEL Part number	93167525	OPEL Part number	95524723
OPEL Part number	95525638	OPEL Part number	96234924
PEUGEOT / CITROËN	6500N9	PEUGEOT / CITROËN	6504A3
PEUGEOT / CITROËN	6504C1	PEUGEOT / CITROËN	6545KH

Manufacturer correspondence*			
PORSCHE	PAA102615B	RENAULT	7700410574
RENAULT	7703297154	SAAB	24426655
SEAT	N10261503	SKODA	N10261503
SUBARU	82210FC010	SUZUKI	0948110501
TOYOTA	9008082021	TOYOTA	9098209009
VOLKSWAGEN	N10261503	VOLVO	30872411

* Non contractual information given as indication
