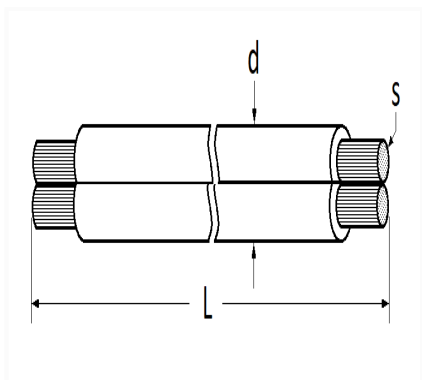


1 Allée des Bouleaux -F-95110 SANNOIS
 +33 (0)1 39 98 55 00
 info@restagraf.com

CROWN OF 5 METERS ELECTRIC WIRE 2 X 0,5 mm² BLACK/ RED FOR LOUD SPEAKER



Item code	Number of References	Number of pieces	Conditioning
6708	1	1	CARDBOARD BRACKET



Technical informations	
L	5 m
d	1.6 X 3.6 mm
s	0.50 mm ²

Materials
COPPER