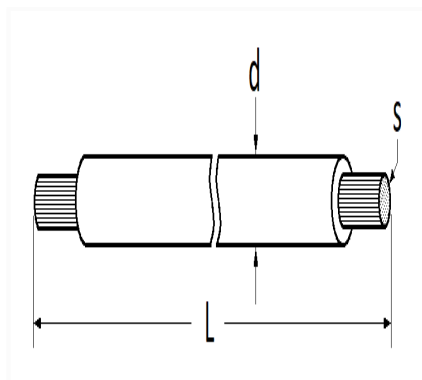


1 Allée des Bouleaux -F-95110 SANNOIS  
 +33 (0)1 39 98 55 00  
 info@restagraf.com

**CROWN OF 5 METERS ELECTRIC WIRE 2 mm<sup>2</sup> RED**



Item code	Number of References	Number of pieces	Conditioning
6707	1	1	CARDBOARD BRACKET



Technical informations	
L	5 m
d	2.60 mm
s	2 mm <sup>2</sup>

Materials
COPPER