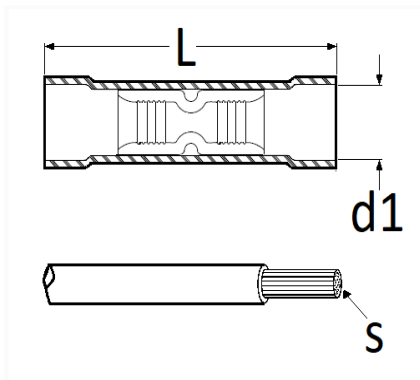


1 Allée des Bouleaux -F-95110 SANNOIS
 +33 (0)1 39 98 55 00
 info@restagraf.com

CRIMPHÜLSE ISOLIERT 1 → 2,5 MM²



Item code	Number of References	Number of pieces	Conditioning
6612	1	30	BEUTEL
225095	1	5	BLISTER
306612	1	100	BEHÄLTER



Technical informations	
L	25.5 mm
d1	5.5 mm
s	1 → 2.5 mm ²