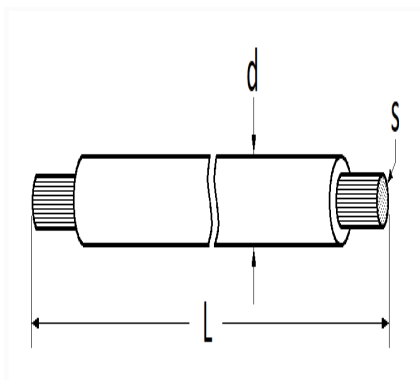


1 Allée des Bouleaux -F-95110 SANNOIS
 +33 (0)1 39 98 55 00
 info@restagraf.com

CROWN OF 5 METERS ELECTRIC WIRE 2 mm² BROWN



Item code	Number of References	Number of pieces	Conditioning
6357	1	1	CARDBOARD BRACKET



Technical informations	
L	5 m
d	2.60 mm
s	2 mm ²

Materials
COPPER